

## Rain Gauge

### DIG-RG-G1



### Description

The DIG-RG-G1 Tipping Bucket Rainfall Sensor is an instrument used in hydrology and meteorological applications to measure the nature of rainfall, converting precipitation into a pulse signal output. Designed with insect-proof nets, free blocking nozzle and built-in leveller. The model can be used in meteorology, hydrology, agriculture, forestry, field monitoring stations and other industries. Combined with a rainfall recorder can be used to measure precipitation, precipitation intensity, and precipitation time.

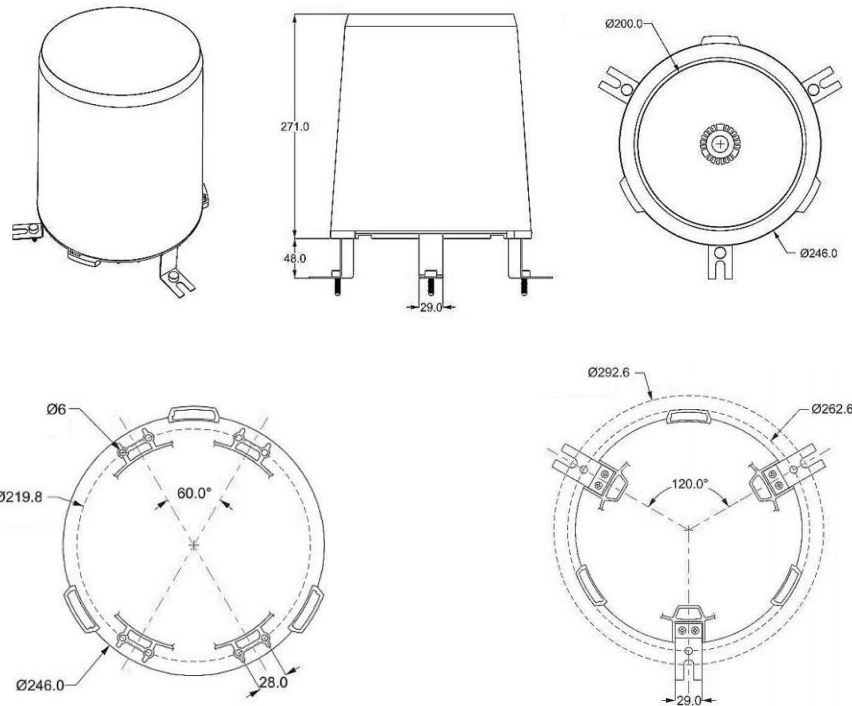
Notable features are:

- Compact size.
- High accuracy, good stability.
- Mesh in the funnel to prevent debris such as leaves and insects from affecting the working parts of the rain sensor.
- Tipping bucket with low resistance
- Main body made of high strength ABS
- Horizontal bubble in the bottom

## Technical Specifications

Aspect	Specification
Collector	Diameter: 200mm, Height: 271mm
Measured Rainfall Intensity	Max: 4mm/min
Allow Rainfall Intensity	Max: 8mm/min
Resolution	0.2mm
Accuracy (2mm/min)	±4%
Max. Load Voltage	30VDC (Pulse Output)
Max. Load Current	20mA
Output	Pulses(@10kΩ&0.01uF) RS485(12-24VDC supply)
Operating Temperature	0-60°C @0%-100%R.H.
Main Material	Rainfall collector & tipping bucket: ABS Supporting leg: 304SS
Weight (Unpacked)	2kg

## Dimensions and Mounting



Installation hole position No.1

Installation hole position No.2

Adjust the balance foot screws to **ensure that the sensor is mounted in horizontal position**. Use three fastening screws to fix this three support legs at the platform to keep the entire apparatus at an optimum level, which ensure the accuracy of rainfall data.

All units in mm.