



## Kontrolog

### EXPANSION MODULE 8 ANALOG / DIGITAL INPUTS

#### Description

Through this expansion module the Kontrolog can receive up to 8 additional inputs which can be programmed as analog (4 to 20mA, 0-10V), for temperature, digital and others.

#### ORDERING INFORMATION

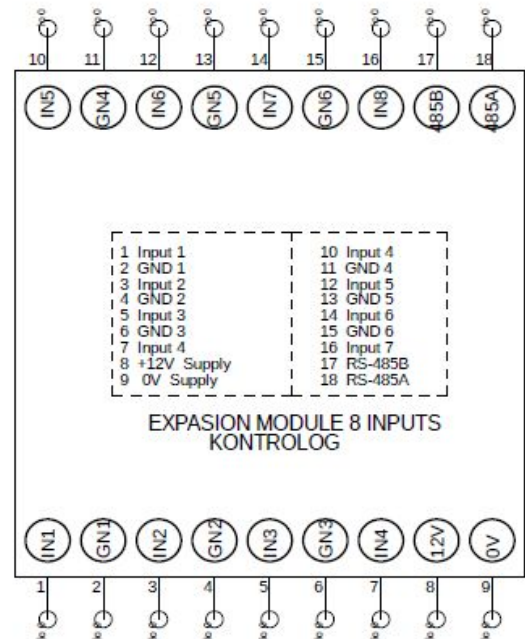
<b>P/N:</b> <b>KL-8IN-12V</b>	Expansion Module 8 Inputs
----------------------------------	---------------------------

## FEATURES

### General

- Measurements of the 8 input sensors programmable for:
  - Temperature
  - Humidity
  - Analog 0 to 20mA
  - Analog 0 to 10 VDC
  - Digital
  - Pulse counter
- Remote configuration of parameters, such as alarm limits, reading adjustment, among others.
- Modbus RTU communication with the Kontrolog or other PLCs.
- Power supply : 6 -24 VDC.

### CONNECTION DIAGRAM



## POWER REQUIREMENTS

Parameter	Value	Unit
<b>Maximum operating current</b>	0.2	A
<b>Nominal DC voltage</b>	6 - 24 ±0.1	VDC

## RECOMMENDED OPERATING CONDITIONS

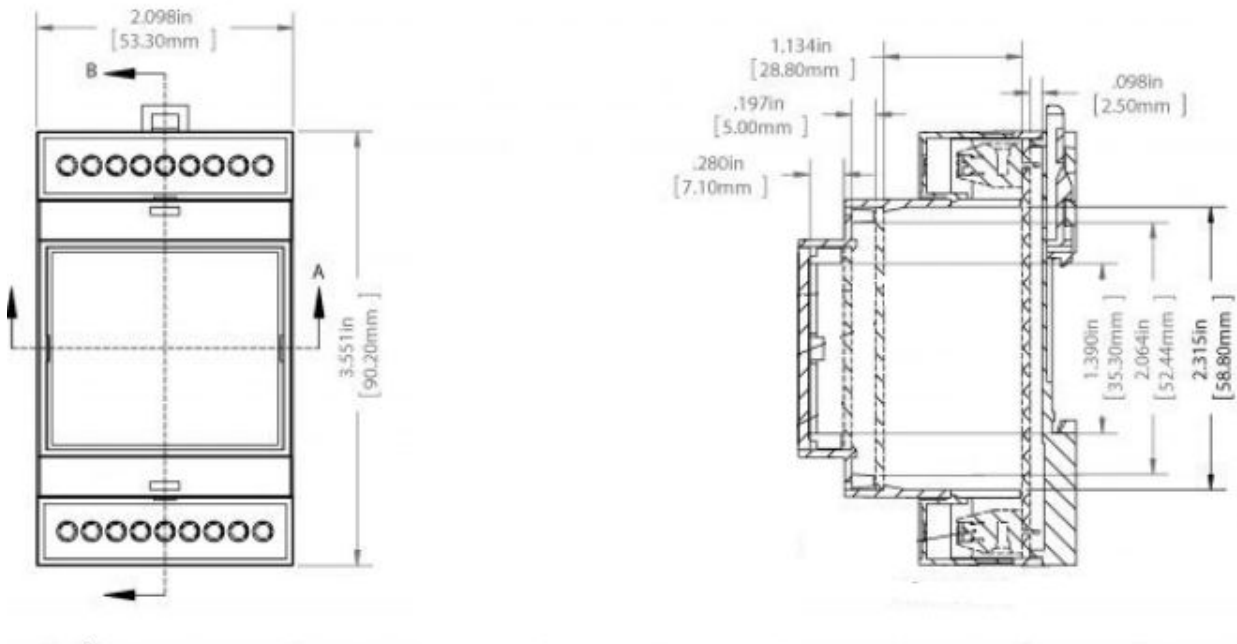
Operating Conditions	Value	Unit
<b>Storage temp.</b>	20 (68) – 45 (113)	°C (°F)
<b>Storage ambient humidity</b>	60 ± 25	% R.H./Non-condensable
<b>Operating temp.</b>	0 (32) - 45 (113)	°C (°F)
<b>Operating ambient humidity</b>	60 ± 25	% R.H./Non-condensable
Standard	Protection Type	
<b>IEC 60529/ EN 60529 Standard</b>	<b>IP40</b> For indoor use only	
<b>UL94-V0</b>	Plastic UL94-V0 for high flammability	

## INPUTS CHARACTERISTICS

Type	Note
<p style="text-align: center;"><b>Analog or digital inputs</b></p>	<p>The Kontrolog Expansion Module can receive up to 8 configurable inputs for:</p> <ul style="list-style-type: none"> <li>● 10k NTC thermistors.</li> <li>● Ambient Temperature and Humidity sensors.</li> <li>● Analog inputs 4-20 mA / 0-5 VDC or 0-10 VDC.</li> <li>● Digital inputs.</li> <li>● Digital pulse counter.</li> <li>● Frequency meter.</li> </ul>

## DIMENSIONS

### Main Unit Dimensions



Material: PC/ABS (UL94V-0).

**Total weight:** 150g, without accessories and without sensors connected.