

# Soil Humidity, Temperature, EC and Salinity Sensor: 4 in 1

## DIG-SMT3



### Description

Ideal for measuring soil humidity, temperature, electroconductivity and salinity. Equipped with a high-precision sensor to compare with the actual soil drying and weighing method calibration, high accuracy, fast response, the output is stable. It is less affected by soil salinity and is suitable for a variety of

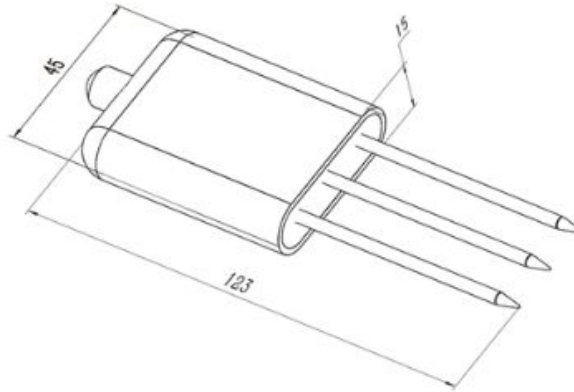
Notable features are:

- Great accuracy and reliability.
- Resistant to long-term electrolysis, corrosion resistance, vacuum potting, and completely waterproof.

### Technical Specifications

Variables	Soil Humidity, Temperature, EC and Salinity
Measuring Range	-40°C to 80°C 0 to 100 %R.H. 0~20000µs/cm 0~10000ppm
Accuracy	±0.5° C 0-50%,±2% ; 53-100%,±3% ±3% ±3%
Resolution	0.1°C 0.1%RH 10 us/cm 10 ppm
Response Time	<15s
Protection	IP68

## Dimensions



All dimensions in mm.

## Measurement Methods

Method	Description
Soil Surface	<ul style="list-style-type: none"> <li>➤ Insert the sensor vertically and completely into the soil</li> <li>➤ If there is a hard object, the measurement location should be replaced and re-measured</li> <li>➤ For accurate data, it is recommended to measure multiple times and take the average</li> </ul>
Buried Measure	<ul style="list-style-type: none"> <li>➤ Make a soil profile in the vertical direction, slightly deeper than the installation depth of the bottommost sensor, between 20cm and 50cm in diameter</li> <li>➤ Insert the sensor horizontally into the soil</li> <li>➤ After the installation is completed, the excavated soil is backfilled in order, layered and compacted, and horizontal installation is guarantee</li> </ul>
Tier Installation	<p>Three-tier: Probes buried horizontally at (10, 20 and 40cm). Six-tier: Probes buried horizontally at (10, 20, 40, 60, 80 and 100cm).</p>