

# Water EC, TDS, Salinity and Temperature 4 in 1 Transmitter

**DIG-WEC\_B**



## Description

Used to measure water quality in environmental protection, sewage treatment, thermal power, aquaculture, food processing, among others. It has high stability, excellent repeatability and high measurement accuracy. It can accurately measure salinity value, temperature value, EC value and TDS content in solution.

Notable features are:

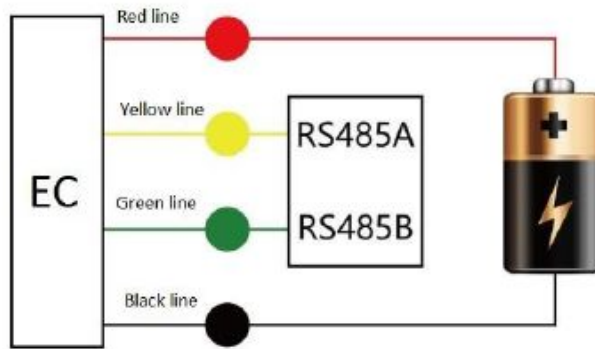
- A variety of electrodes are available (0.1; 1.0; 10.0), the measurement is more accurate and reliable.
- Cost-effective introduce sensor.
- Digital linearization correction, high precision, high stability.
- Flexible installation, easy to use.

## Technical Specifications

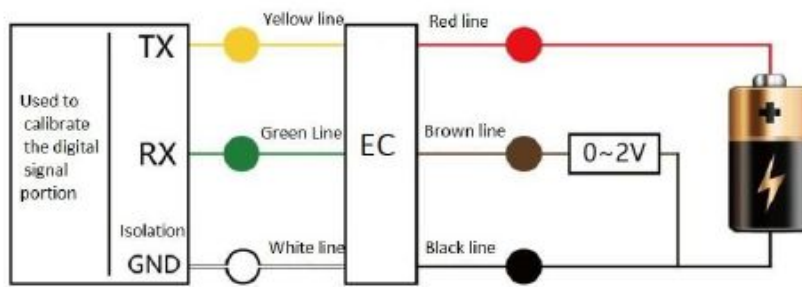
Measured Variable	Range
Range	EC: 0 - 10000us/cm (Max 100ms/cm, depends on the electrode constant) TDS: 5000ppm Salinity: 8ppt (Max 80ppt, depends on the electrode constant) Temperature: 0-60°C (humidity ≤ 85% RH)
Accuracy	EC: ±1% FS TDS: ±1% FS Salinity: ±1% FS Temperature: ±0.5°C
Resolution	EC: 0.1us/cm TDS: 0.1mg/L Salinity: 0.01ppt Temperature: ±0.5°C
Output	MODBUS RTU, RS485
Supply Voltage	5~24V DC
Power Consumption	≤0.5W

- With the RS485 output it can measure above four parameters

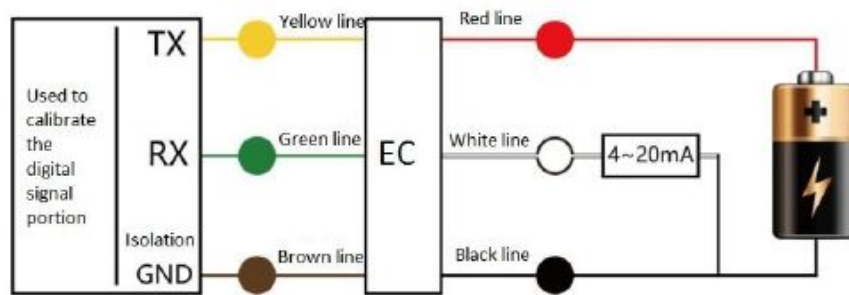
## Electrical Connections



(RS485)



(0~2V, 0~5V, 0~10V)



(4~20mA)

## Precautions

- The Salinity cell should be installed in the pipeline with stable flow rate and not easy to generate bubbles. It can be installed by bypass. In order to avoid inaccurate measurement.
- Concentric tubular electrodes should be installed in the FLOW direction, such as flat, diagonal or vertical installation, and deep into the flowing water body.
- Do not touch the surface directly with hands or dirty objects. Accurate values cannot be measured for a long time after stains and greases or gels.
- Do not use strong Acid, alkali cleaning, soaking and mechanical scraping, these operations will lead to changes in the electrode constant, affecting the system's measurement volume accuracy.
- Do not modify any part of the sensor