



Kontrolog

EXPANSION MODULE 8 ANALOG / DIGITAL INPUTS

Description

Through this expansion module the Kontrolog can receive up to 8 additional inputs, which can be analog (4-20mA or 0-10V), or digital (dry contact), and can be configured in different types.

ORDERING INFORMATION

P/N: KL-8IN-12V	Expansion Module 8 Inputs
----------------------------------	---------------------------

FEATURES

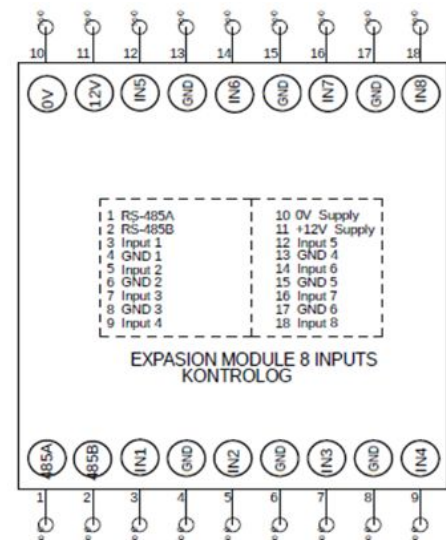
General

- Measurements of the 8 input sensors programmable for:
 - Temperature
 - Humidity
 - Analog 4 to 20mA
 - Analog 0 to 10 VDC
 - Digital by dry contact
 - Pulse counter
- Remote configuration of parameters, such as alarm limits, reading adjustment, among others.
- Modbus RTU communication with the Kontrolog or other PLCs.
- Power supply : 12 VDC.

NOTE: Only 1 expansion module of 8 analog or digital inputs can be added per Kontrolog device.

NOTE: It can be used simultaneously with the 8 outputs expansion module to enhance the capabilities of the Kontrolog.

CONNECTION DIAGRAM



POWER REQUIREMENTS

Parameter	Value	Unit
Maximum operating current	0.2	A
Nominal supply voltage	12 ±0.1	VDC
Maximum supply voltage	15	VDC

RECOMMENDED OPERATING CONDITIONS

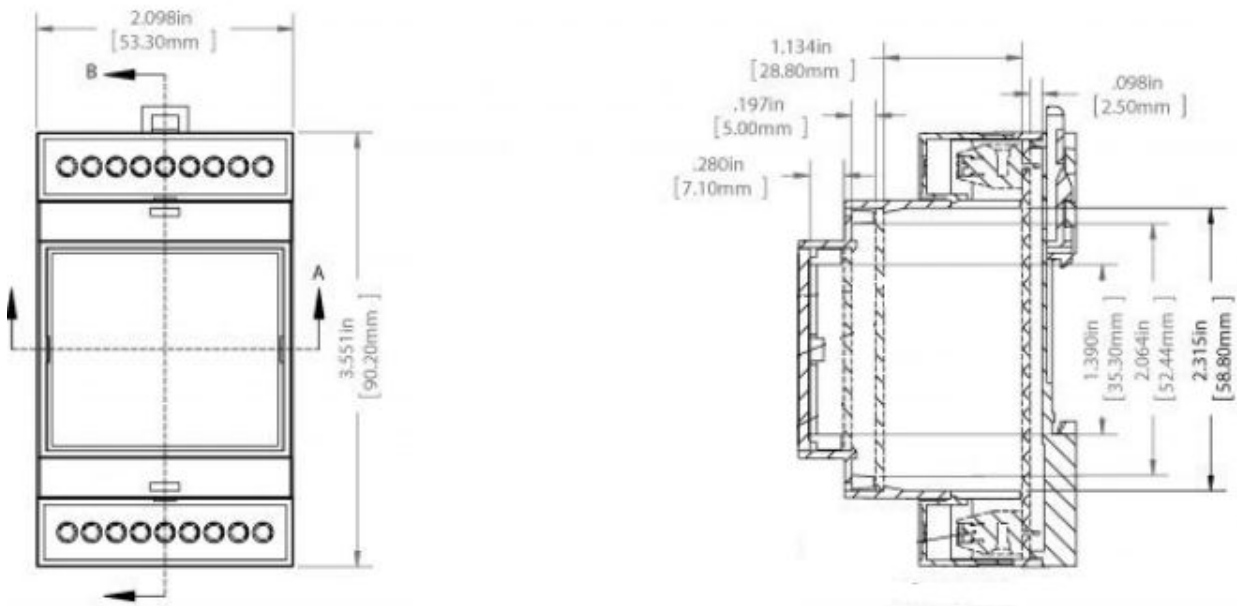
Operating Conditions	Value	Unit
Storage temp.	20 (68) – 45 (113)	°C (°F)
Storage ambient humidity	60 ± 25	% R.H./Non-condensable
Operating temp.	0 (32) - 45 (113)	°C (°F)
Operating ambient humidity	60 ± 25	% R.H./Non-condensable
Standard	Protection Type	
IEC 60529/ EN 60529 Standard	IP40 For indoor use only	
UL94-V0	Plastic UL94-V0 for high flammability	

INPUTS CHARACTERISTICS

Type	Note
<p style="text-align: center;">Analog or digital inputs</p>	<p>The Kontrolog Expansion Module can receive up to 8 configurable inputs for:</p> <ul style="list-style-type: none"> • 10k NTC thermistors. • Ambient Temperature and Humidity sensors. • Analog inputs 4-20 mA / 0-10 VDC. • Digital inputs: dry contact. • Digital pulse counter. • Frequency meter. <p>NOTE: Input 8 can only be configured as Digital Input.</p>

DIMENSIONS

Main Unit Dimensions



Material: PC/ABS (UL94V-0).

Total weight: 150g, without accessories and without sensors connected.